

Assembly instructions

Ballast Mounting System For PV module ballasted mount on concrete flat roof



> Disclaimer	1
> Components	2
> Tools	3
> Preparation	4-8
> Assembly	9-10
> Install Solar Modules	11-14
> Warranty	15

Disclaimer

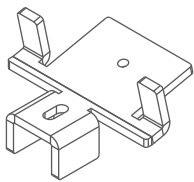
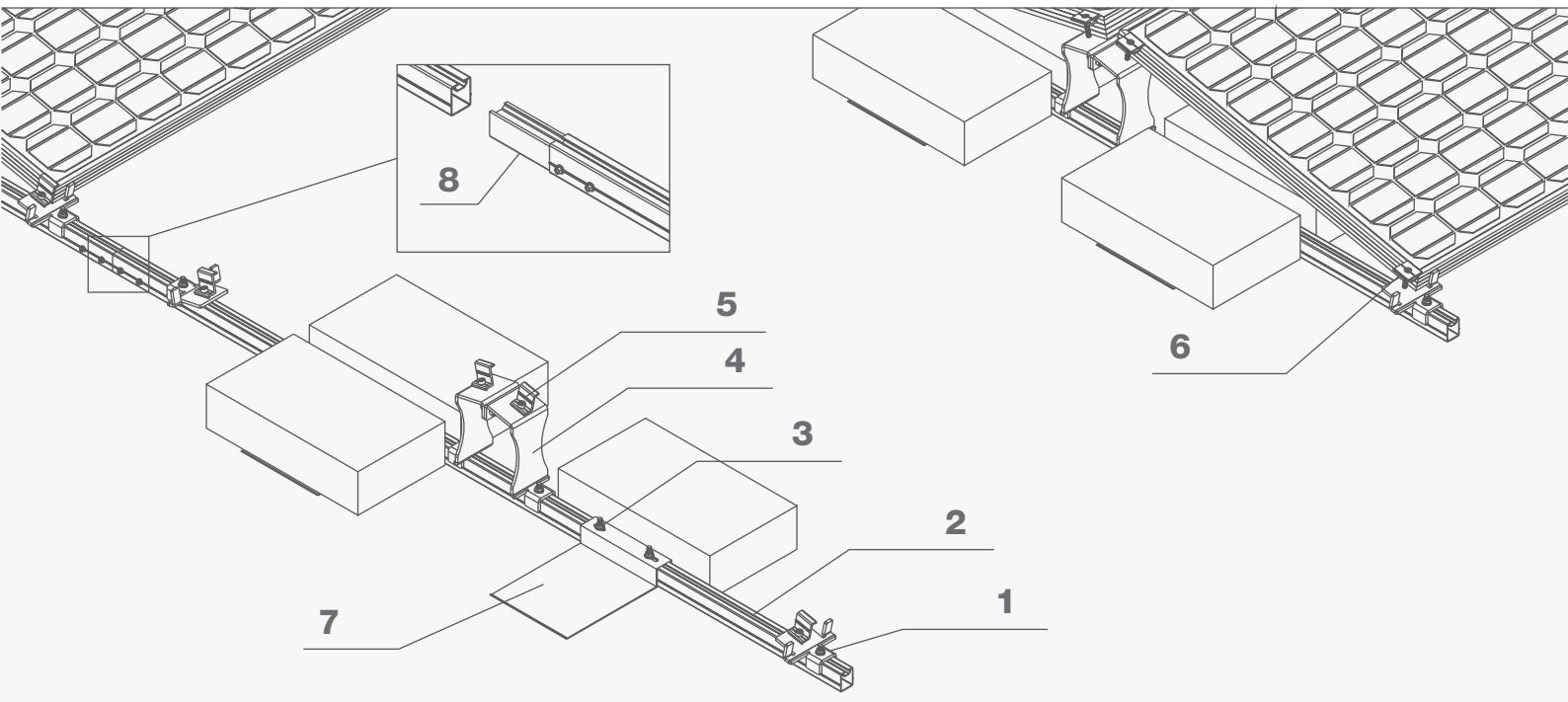
This manual describes the proper installation procedures and provides minimum standard required for product reliability and warranty. Thoroughly understanding this manual is imperative to proper installation.

Please review the following before installation

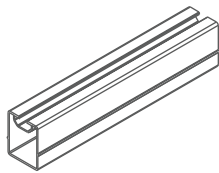
- Make sure the roof is in proper condition prior to installation. Do not install on damage roofs.
- Comply with roofing manufacturer's warranty terms.
- Ensure your work comply with local building codes and requirements, include any that may supersede this manual
- Ensure all products are appropriate for the installation, environments, and array under the site's loading conditions.
- Ensure the installation is performed by licensed contractors,` electrical installation must be conducted by licensed electrician. Ensure all work comply with local requirements.
- Use system components supplied by enerack or parts recommended by enerack.



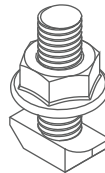
This manual does not list all precautions needed for safe work. The installation must comply with health and safety requirements and other relevant standards and codes of practice. The manual provides guidelines for installation, but it does not guarantee the quality of installation work. Please complete the installation in a responsible and professional manner.



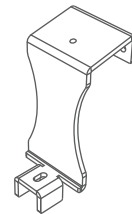
1. Front leg



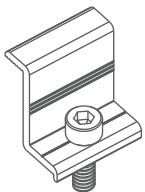
2. Bottom rail



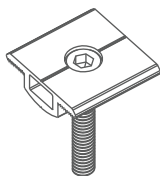
3. T bolt



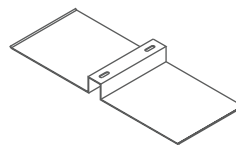
4. Back leg



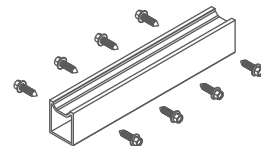
5. End clamp



6. Mid clamp



7. Ballast tray



8. Bottom rail splice

TOOLS



6mm



Non-impact



13mm



>3m



1~2m



>6m



Wood hammer

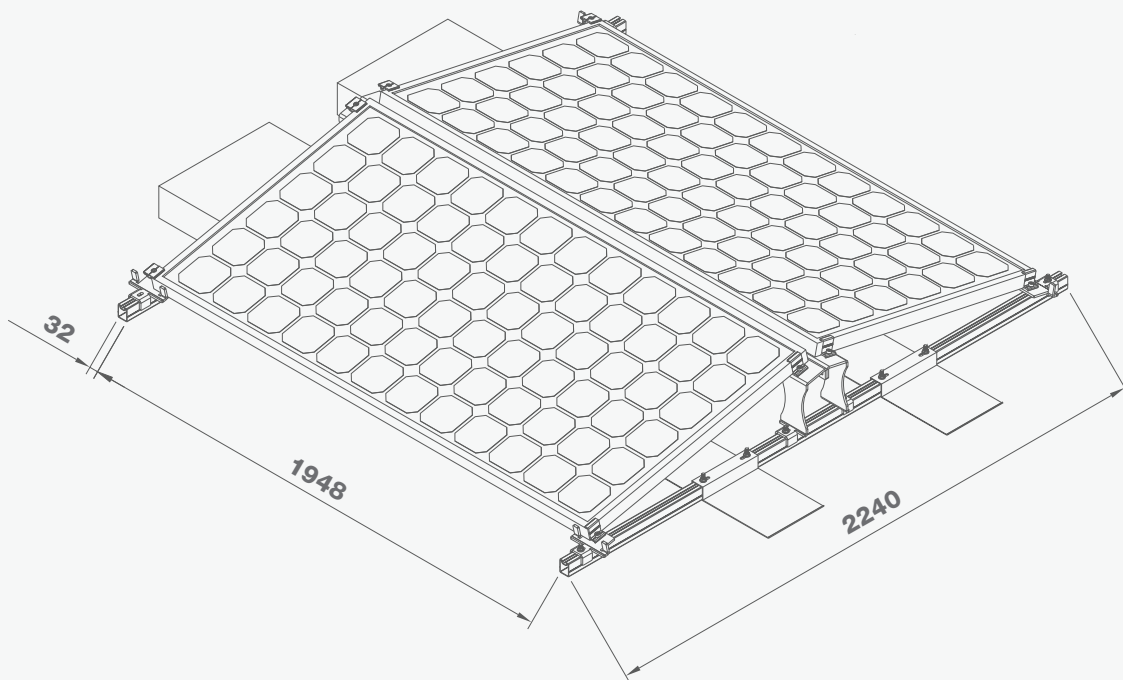
1: Basic mounting unit and distance

A basic mounting unit is to be placed on bottom rail L=2240mm for 2 modules.

Bottom rail **L=2240mm**

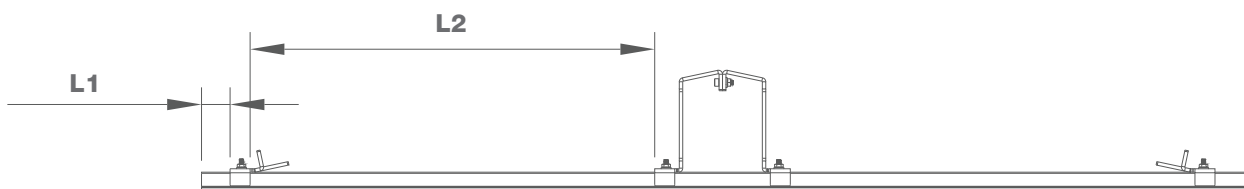
Bottom rail **distance= 1948mm**

Each bottom rail is to be placed for 2 front feet and 2 back feet, check the distance between front feet and back feet.



Front feet to bottom rail edge **L1=50mm**

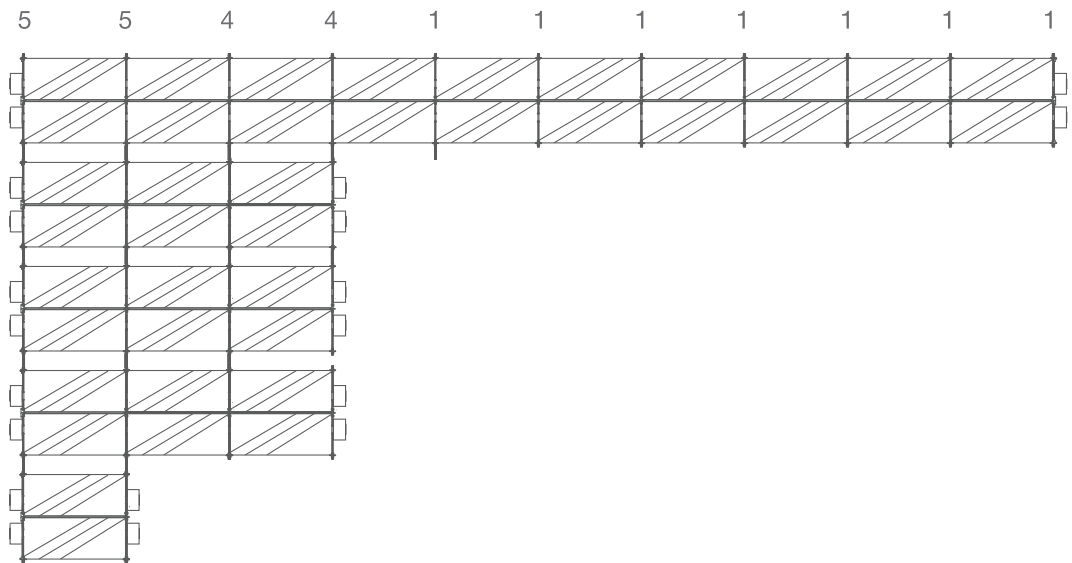
Back feet to front feet **L2= 893mm**



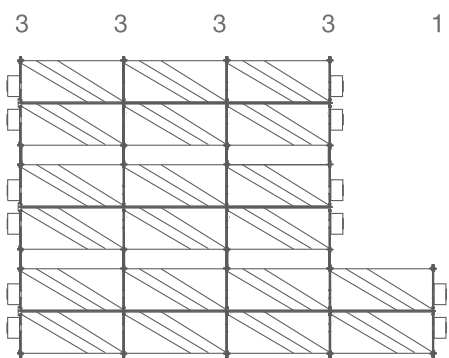
2: Plan the quantity of bottom rail

Check the specific layout drawing, determines the quantity of bottom mounting rail for each array.

Example 1:

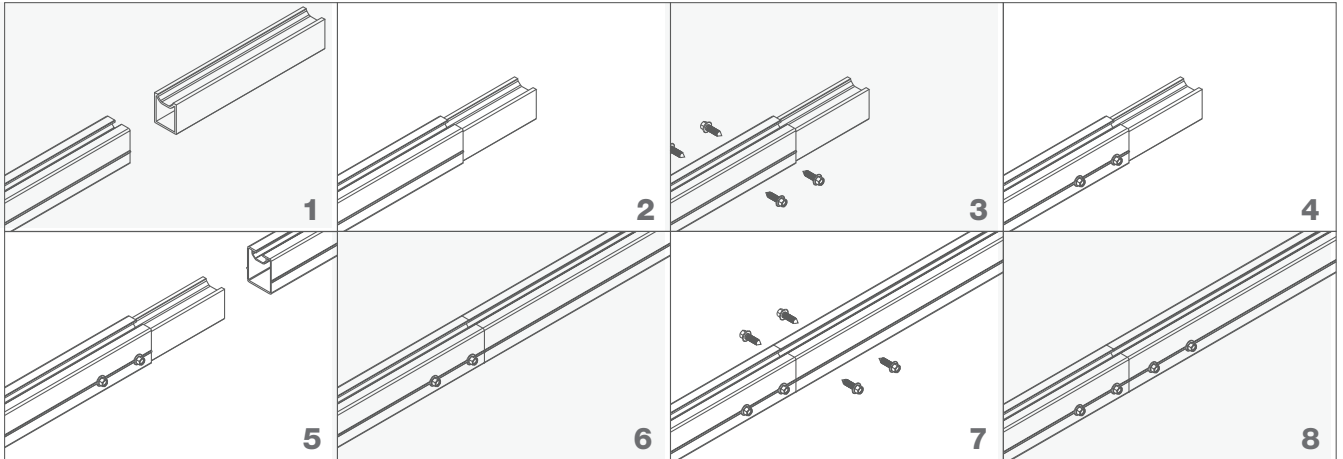


Example 2:

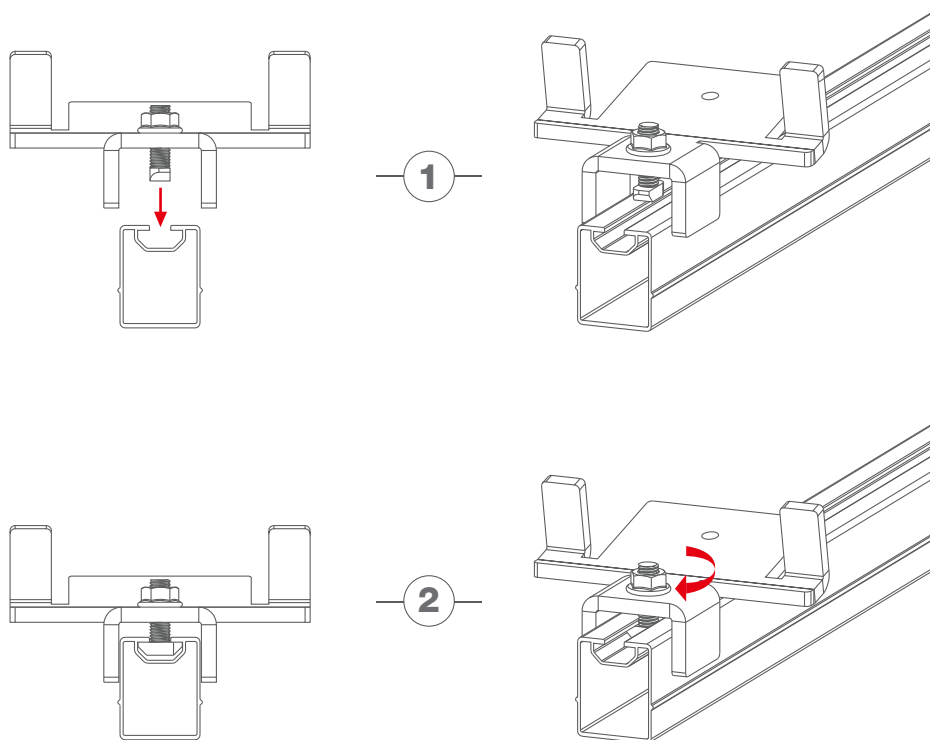


3: Pre-assembly

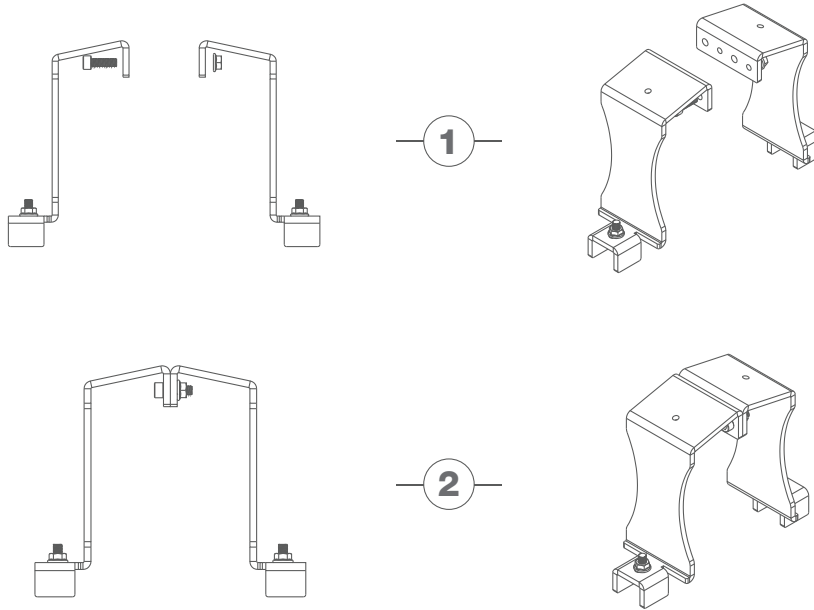
1: Connect the bottom rail according to the layout drawing and installation plan



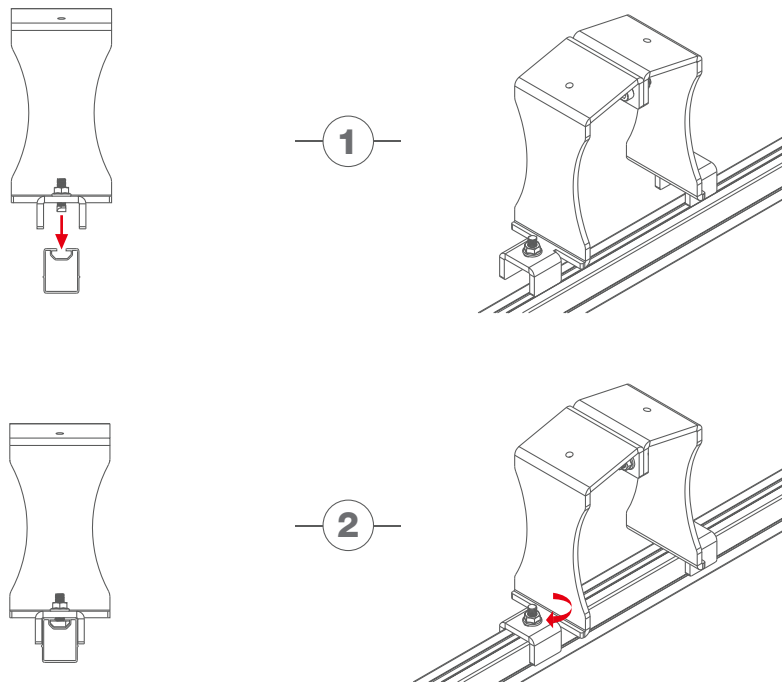
2: install front feet to bottom rail



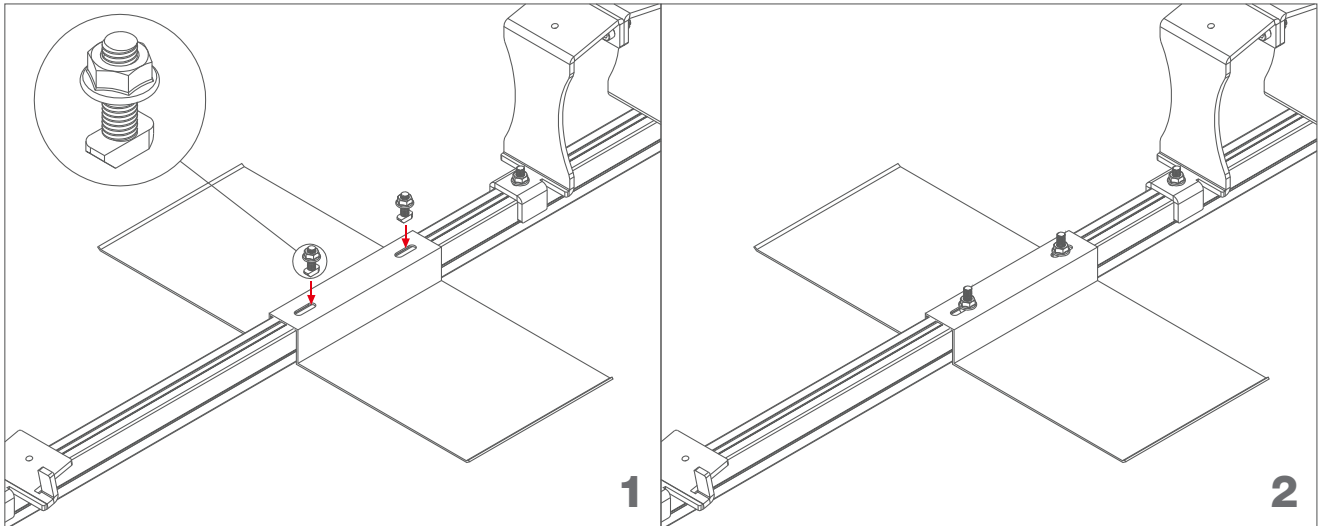
3: Assemble the back feet



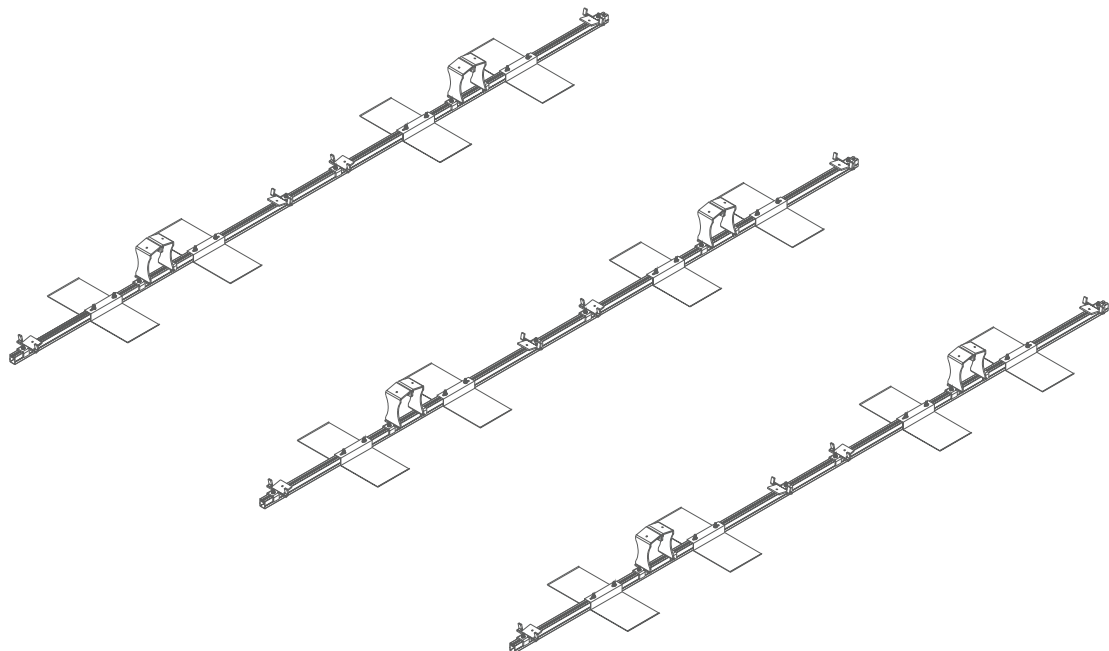
4: install back feet to bottom rail



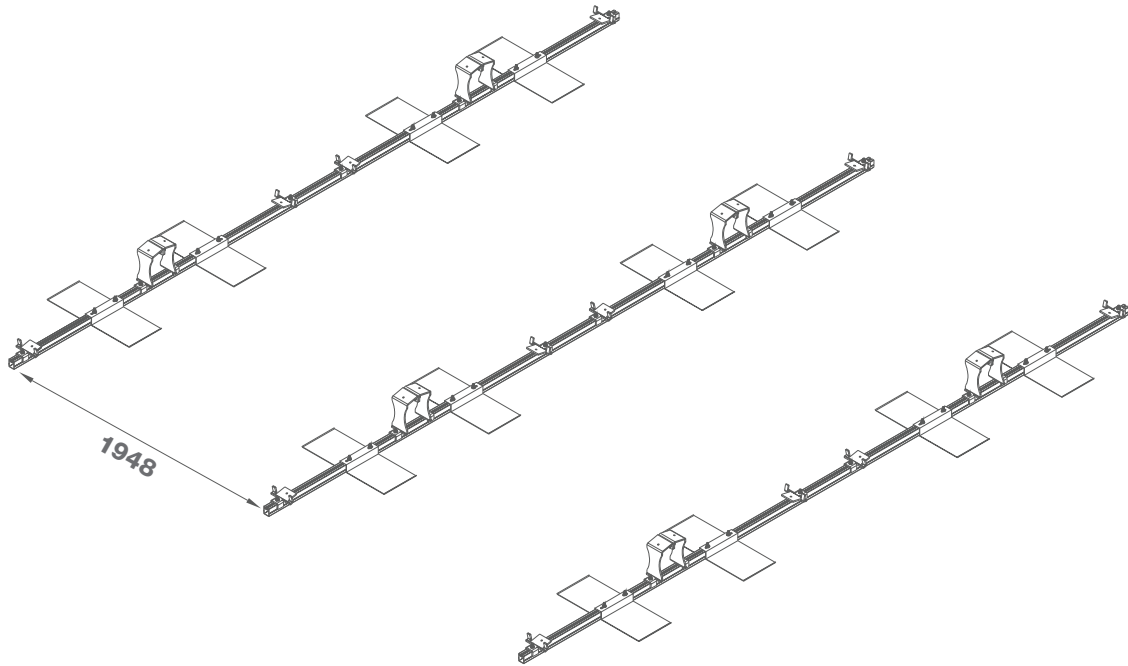
5: install ballast tray to each bottom rail with 2 T bolts



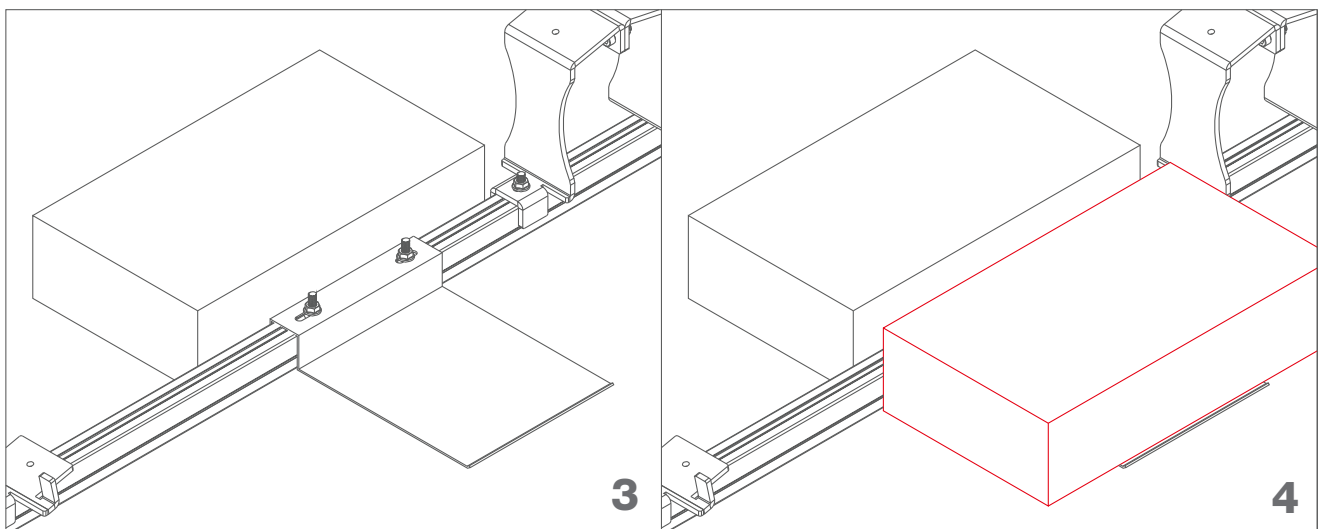
overview of pre-assembled bottom rail with front feet & back feet, ballast tray.



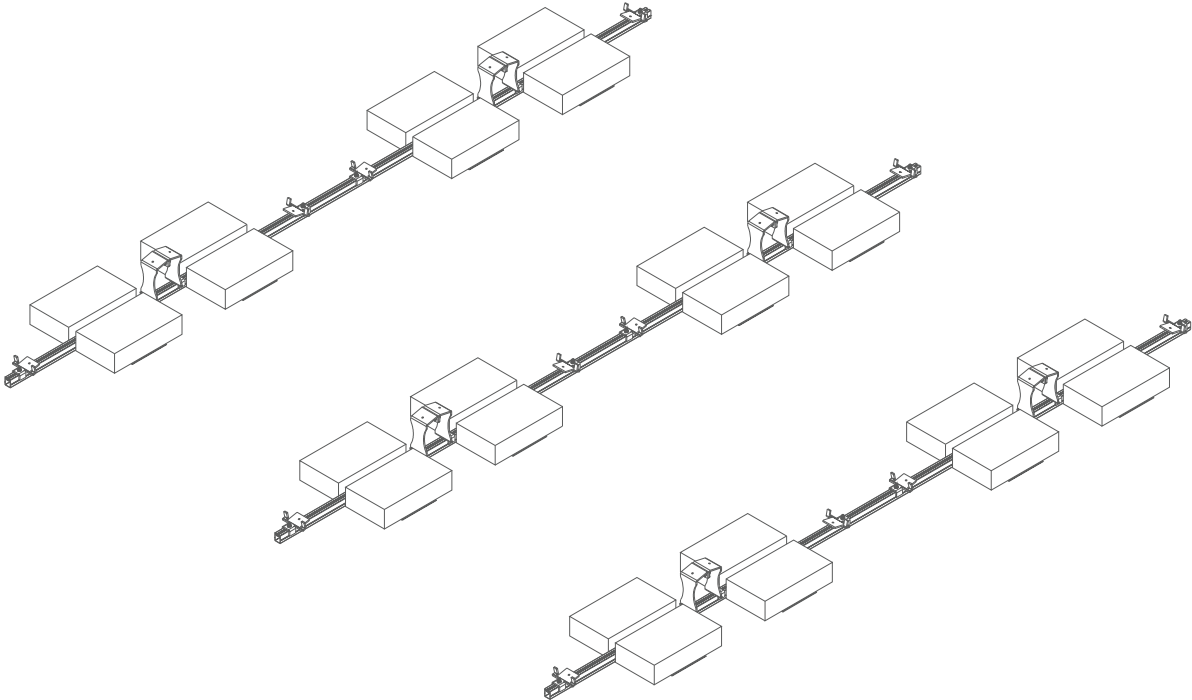
1: place the pre-assembly bottom rail according to layout drawing and installation plan



2: place the ballast blocks to ballast tray.

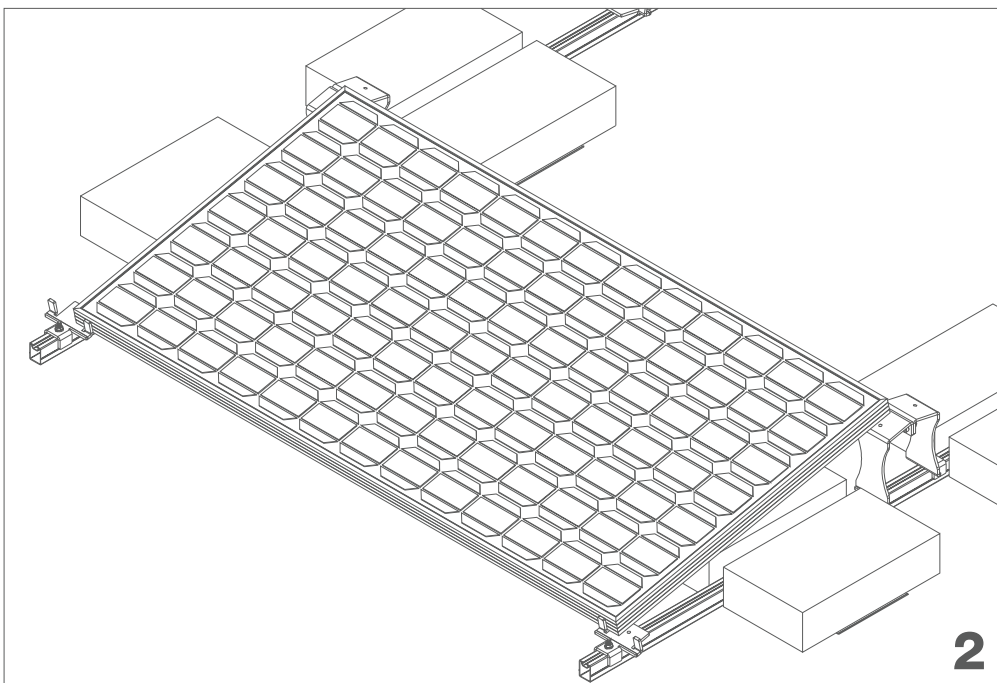
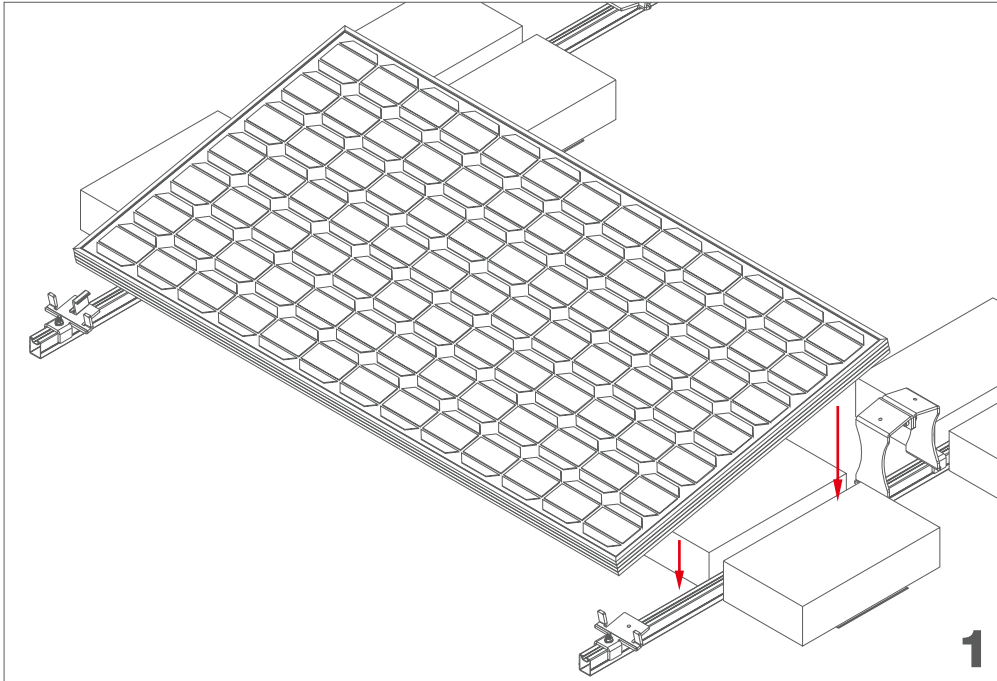


overview after ballast blocks were placed

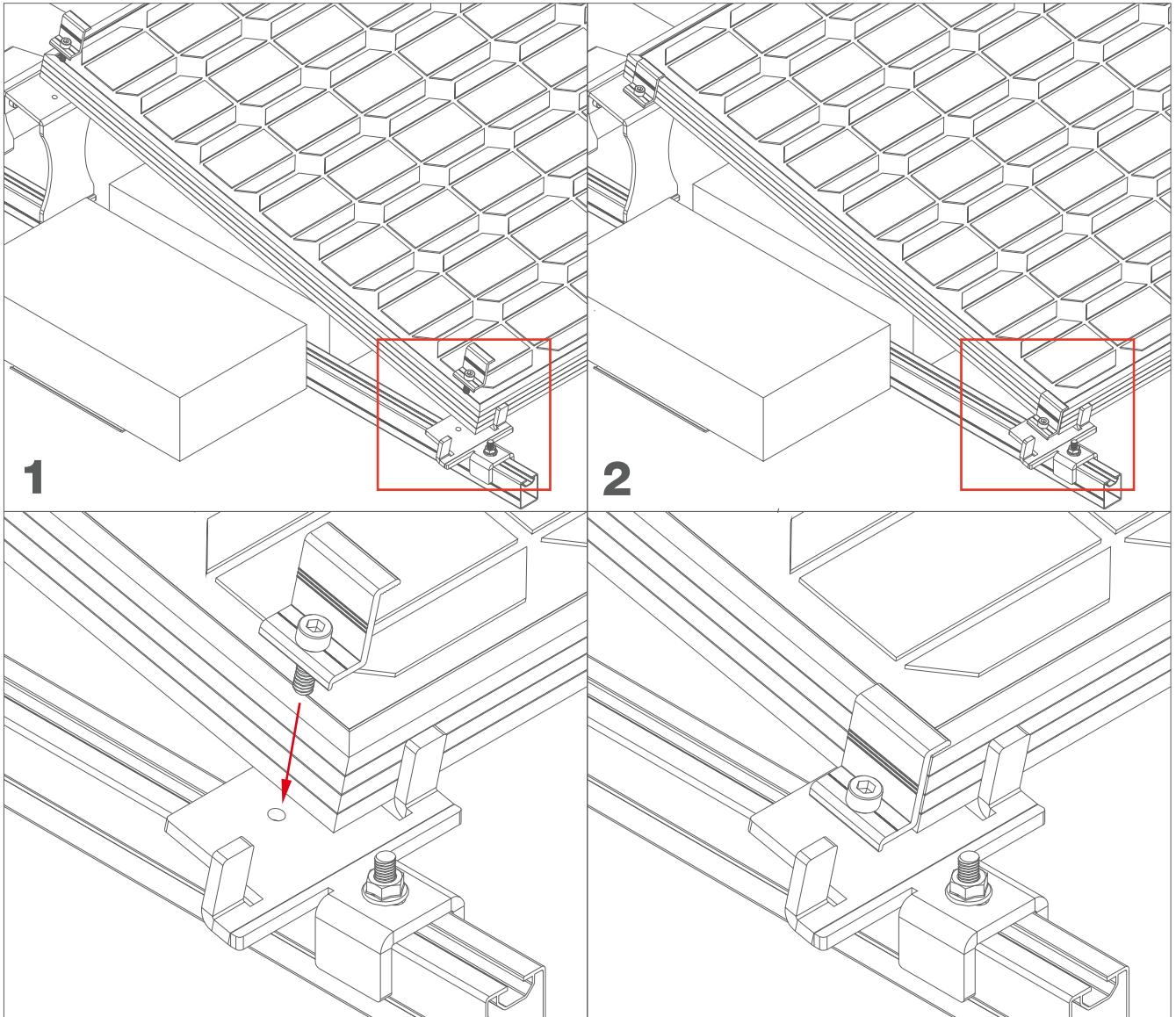


INSTALL SOLAR MODULES

1: place solar modules

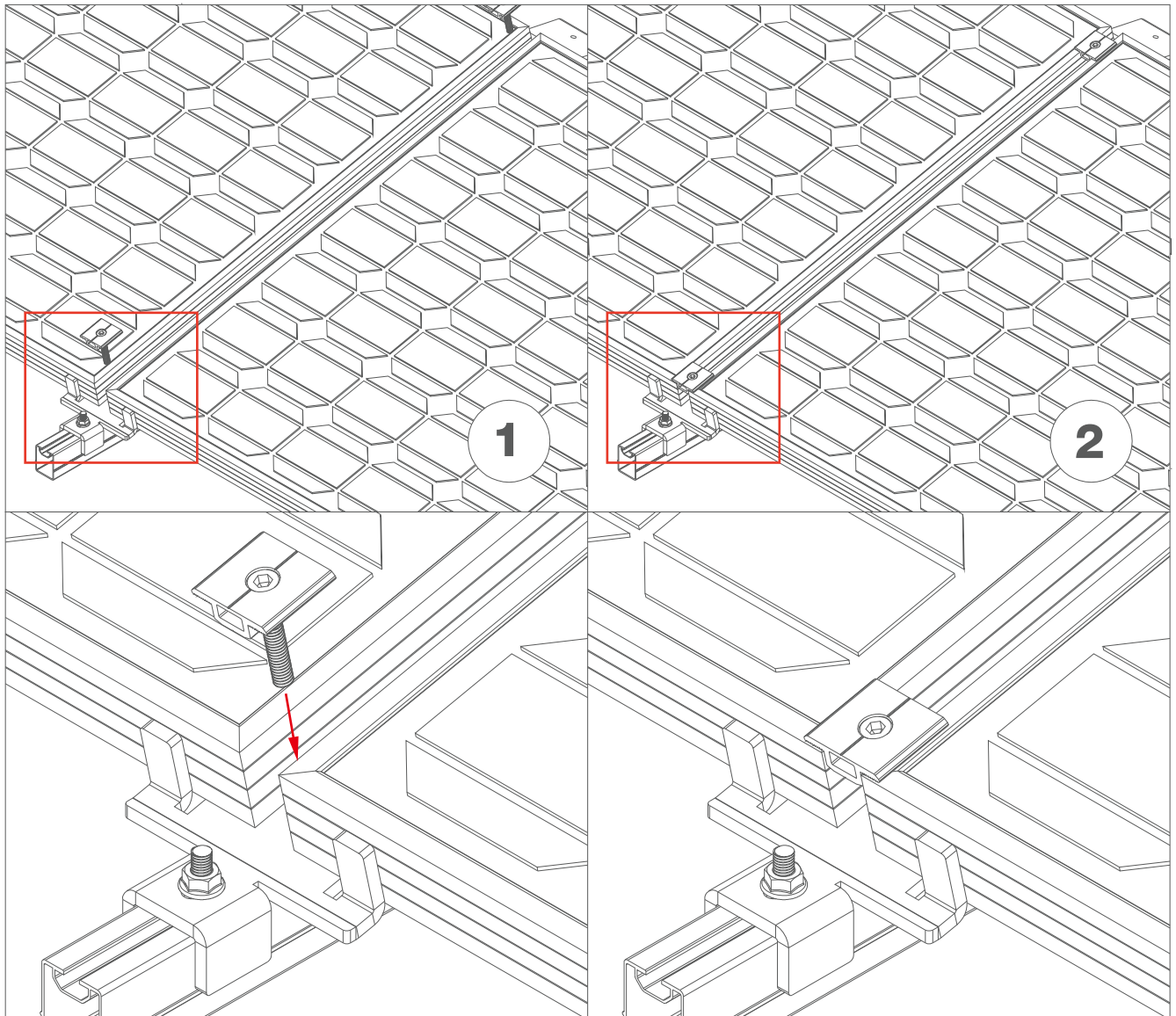


2: fix the solar modules with end clamp

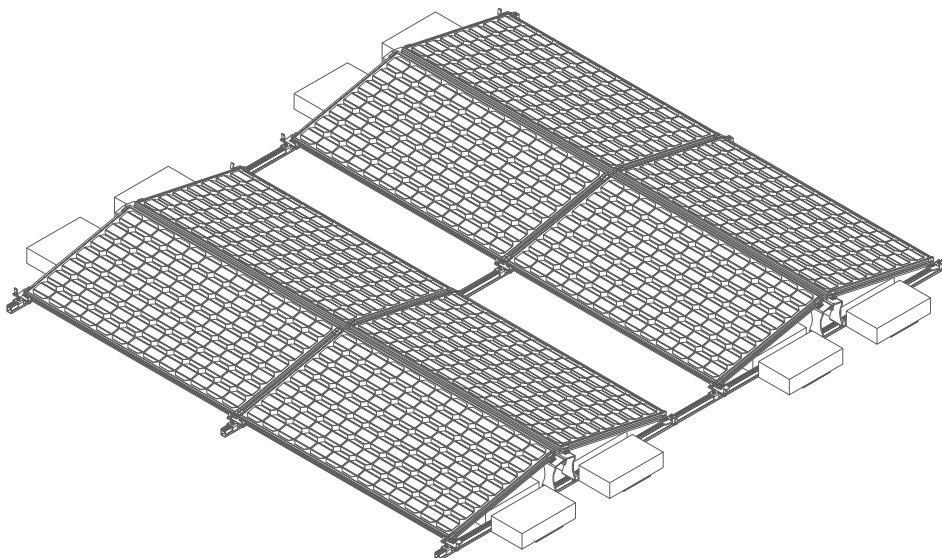
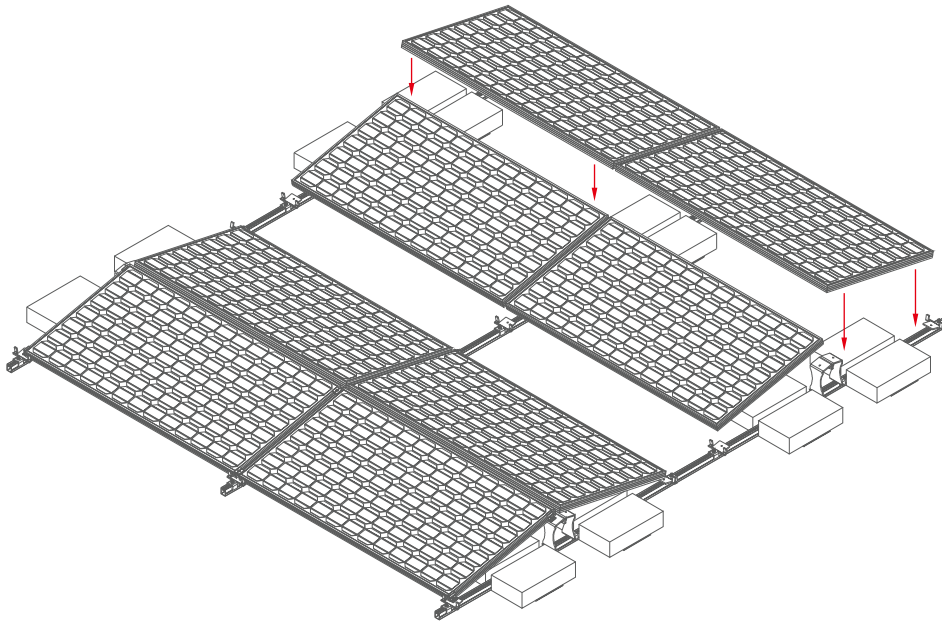


INSTALL SOLAR MODULES

3: fix the solar modules with mid clamp



3: Overview of complete installation



10 years limited product warranty, 5 years limited finish warranty

Enerack warrants to the original purchaser ("Purchaser") of product(s) that it manufactures ("Product") at the original installation site that the Product shall be free from defects in material and workmanship for a period of ten (10) years, except for the anodized finish, which finish shall be free from visible peeling, or cracking or chalking under normal atmospheric conditions for a period of ten five (10) years, from the earlier of 1) the date the installation of the Product is completed, or 2) 30 days after the purchase of the Product by the original Purchaser ("Finish Warranty").



The Finish Warranty does not apply to any foreign residue deposited on the finish. All installations in corrosive atmospheric conditions are excluded. The Finish Warranty is VOID if the practices specified by AAMA 609 & 610-02 – "Cleaning and Maintenance for Architecturally Finished Aluminum" (www.aamanet.org) are not followed by Purchaser. This Warranty does not cover damage to the Product that occurs during its shipment, storage, or installation.

This Warranty shall be VOID if installation of the Product is not performed in accordance with enerack' s written installation instructions, or if the Product has been modified, repaired, or reworked in a manner not previously authorized by Enerack IN WRITING, or if the Product is installed in an environment for which it was not designed. Enerack shall not be liable for consequential, contingent or incidental damages arising out of the use of the Product by Purchaser under any circumstances.

If within the specified Warranty periods the Product shall be reasonably proven to be defective, then Enerack shall repair or replace the defective Product, or any part thereof, at Enerack's sole discretion. Such repair or replacement shall completely satisfy and discharge all of Enerack's liability with respect to this limited Warranty. Under no circumstances shall enerack be liable for special, indirect or consequential damages arising out of or related to use by Purchaser of the Product.

Manufacturers of related items, such as solar modules and flashings, may provide written warranties of their own. Enerack's limited Warranty covers only its Product, and not any related items.



XIAMEN ENERACK TECHNOLOGY CO.,LTD.

Add: 203A, Norinco Business Plaza, NO.6 Huli Avenue, Huli

District, Xiamen, China

Tel: + 86592-5669285

Web: www.enerack.com